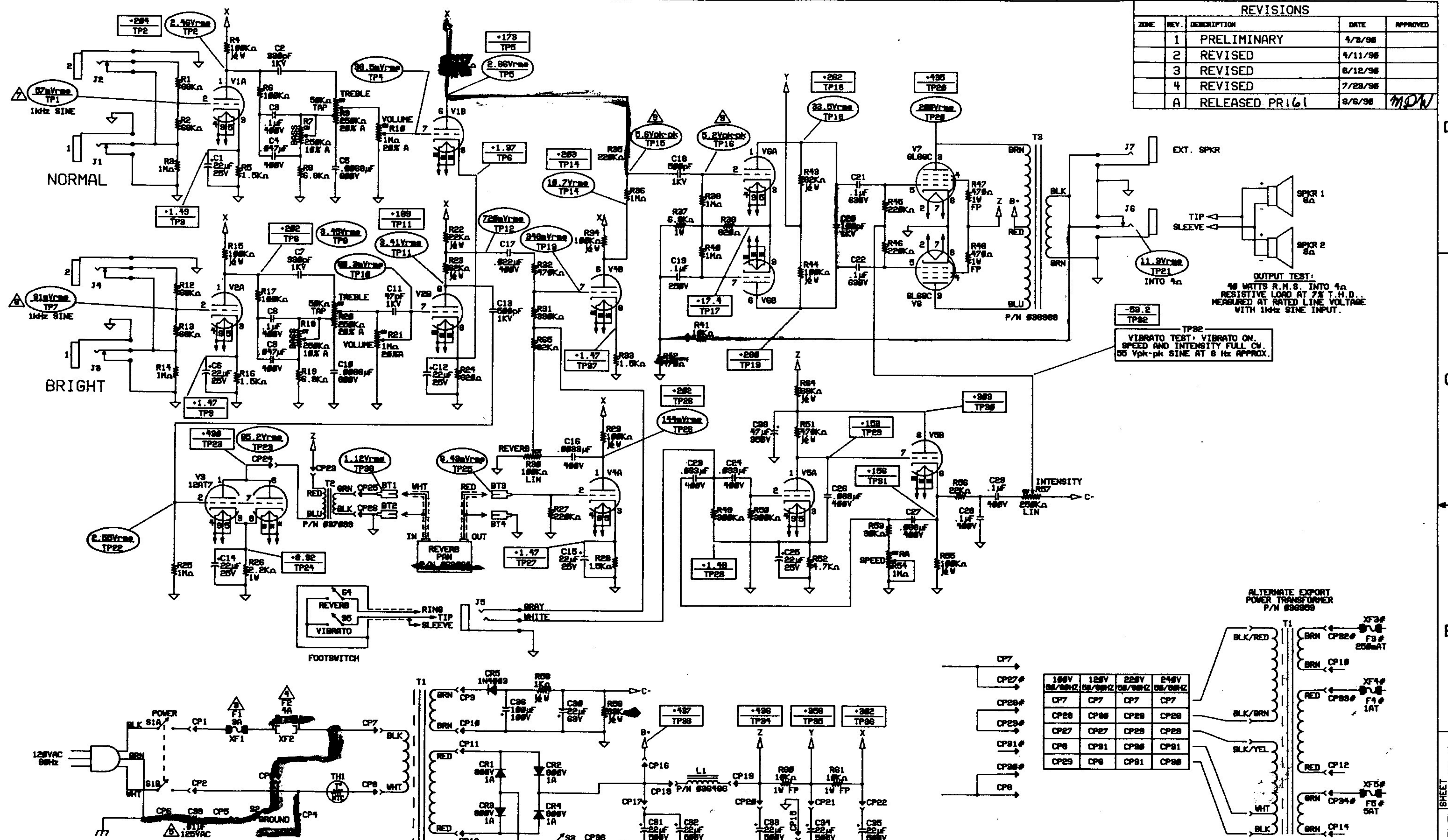


REVISIONS				
ZONE	REV.	DESCRIPTION	DATE	APPROVED
	1	PRELIMINARY	4/3/98	
	2	REVISED	4/11/98	
	3	REVISED	6/12/98	
	4	REVISED	7/28/98	
	A	RELEASED PR161	8/6/98	MDW



OUTPUT TEST:
40 WATTS R.M.S. INTO 4Ω
RESISTIVE LOAD AT 7% T.H.D.
MEASURED AT RATED LINE VOLTAGE
WITH 1kHz SINE INPUT.

VIBRATO TEST: VIBRATO ON,
SPEED AND INTENSITY FULL CV.
50 Vpk-pk SINE AT 6 Hz APPROX.

EXPORT PRIMARY WIRING DIAGRAM
* INSTALLED IN EXPORT UNITS ONLY.

- NOTES:
- V1, 2, 4, 5, 6 ARE 12AX7A.
 - ALL RESISTORS 1/4 WATT CARBON FILM UNLESS NOTED OTHERWISE.
 - EXTERNAL LINE FUSE 3 AMP IN 100/125 VOLT MODELS, 1.6 AMP IN 225/240 VOLT MODELS.
 - INTERNAL LINE FUSE 4 AMP IN 100/125 VOLT MODELS, 2 AMP IN 225/240 VOLT MODELS.
 - CP8, 4, 5, 6 AND C38 INSTALLED IN 125V MODELS ONLY. C38 U.L. AND C.S.A. RECOGNIZED.
 - ALL VOLTAGES MEASURED WITH RESPECT TO GROUND USING A DVM OF AT LEAST 1MΩ AC INPUT IMPEDANCE AND OF 10 MΩ DC INPUT IMPEDANCE. VOLTAGES MAY VARY ± 25% TEST CONDITIONS.
 - LINE VOLTAGE AT 120.5 VAC AT 60 Hz.
 - REVERB AND VIBRATO OFF.
 - REVERB AND VIBRATO CONTROLS FULL CCW.
 - ALL VOLUME AND TONE CONTROLS AT 50% ROTATION.
 - DC VOLTAGES MEASURED WITH NO AC SIGNAL PRESENT.

- AC TEST POINTS TP1, 2, 4, 5 MEASURED WITH NO SIGNAL PRESENT AT THE BRIGHT CHANNEL INPUT. VOLTAGE AT TP1 ADJUSTED TO OBTAIN 11.3 V_{rms} OUTPUT VOLTAGE (ONSET OF CLIPPING).
- BRIGHT CHANNEL TEST POINTS MEASURED WITH NO SIGNAL PRESENT AT THE NORMAL CHANNEL INPUT. VOLTAGE AT THE BRIGHT CHANNEL INPUT ADJUSTED TO OBTAIN 11.3 V_{rms} OUTPUT VOLTAGE.
- AC VOLTAGES AT TP15, TP16 MEASURED WITH AN OSCILLOSCOPE USING A X10 PROBE.
- SIX-DIGIT NUMBERS ARE FENDER PART NUMBERS.

DATABASE FILE: 63VRBS.DWG CHECKED BY: <i>William</i> DATE: 01/5/90 APPROVED: <i>William</i> DATE: 01/5/90 TOLERANCES: X.X .5% X.XX .1% X.XXX .05% ANGLES .05%	PROPRIETARY THIS SCHEMATIC IS THE PROPERTY OF FENDER MUSICAL INSTRUMENTS CO. ALL RIGHTS ARE RESERVED. NO PART OF THIS SCHEMATIC IS TO BE REPRODUCED OR TRANSMITTED IN ANY FORM OR BY ANY MEANS WITHOUT THE WRITTEN PERMISSION OF FENDER MUSICAL INSTRUMENTS CO. 1198 Columbia Street Brea, Ca. 92621	MUSICAL INSTRUMENTS 1198 Columbia Street Brea, Ca. 92621 TITLE: SCHEMATIC 63 VIBROVERB AMPLIFIER SIZE: D DRAWN: WILKENS ENGR: WILKENS SCALE: NONE DATE: 8/6/98 SHEET 1 OF 1
---	--	---

SHEET NO 036992000 1 OF 1