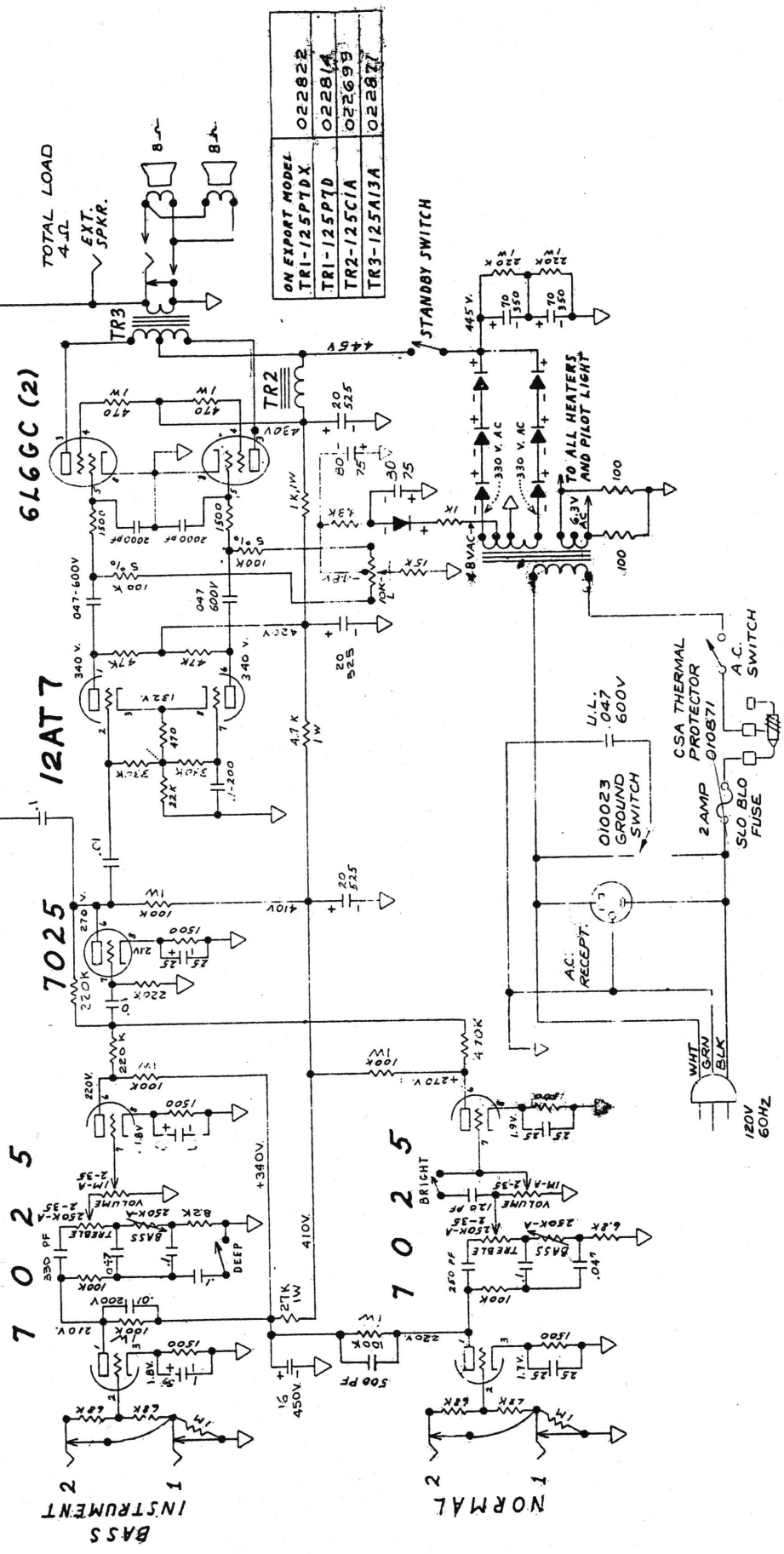


# FENDER MODEL "BASSMAN-50"

## NOTICE

- 1- VOLTAGES READ TO GROUND WITH ELECTRONIC VOLTMETER.
- 2- ALL RESISTORS 1/2 WATT, 10% TOLERANCE IF NOT SPECIFIED.
- 3- ALL CAPACITORS AT LEAST 600 VOLT RATING IF NOT SPECIFIED.
- 4- WHEN INSTALLING NEW 6L6's RESET HUM BALANCE FOR MMW HUM.
- 5- 0100871 USED IN SOME VERSIONS

THIS PRODUCT MANUFACTURED UNDER ONE OR MORE OF THE FOLLOWING U.S. PATENTS: 281109, 2913691, 192154 AND PATENTS PENDING.



ON EXPORT MODEL	022822
TRI-125PTDX	02281A
TRI-125PTD	022699
TR2-125C1A	022827
TR3-125A13A	

DWG. TITLE

—SCHEMATIC—  
50 WATT BASS AMP

DWG. NO.

047779

FENDER MUSICAL INSTRUMENTS  
CBS MUSICAL INSTRUMENTS  
A DIVISION OF COLUMBIA BROADCASTING SYSTEMS INC.  
FULLERTON, CALIFORNIA  
U.S.A.