

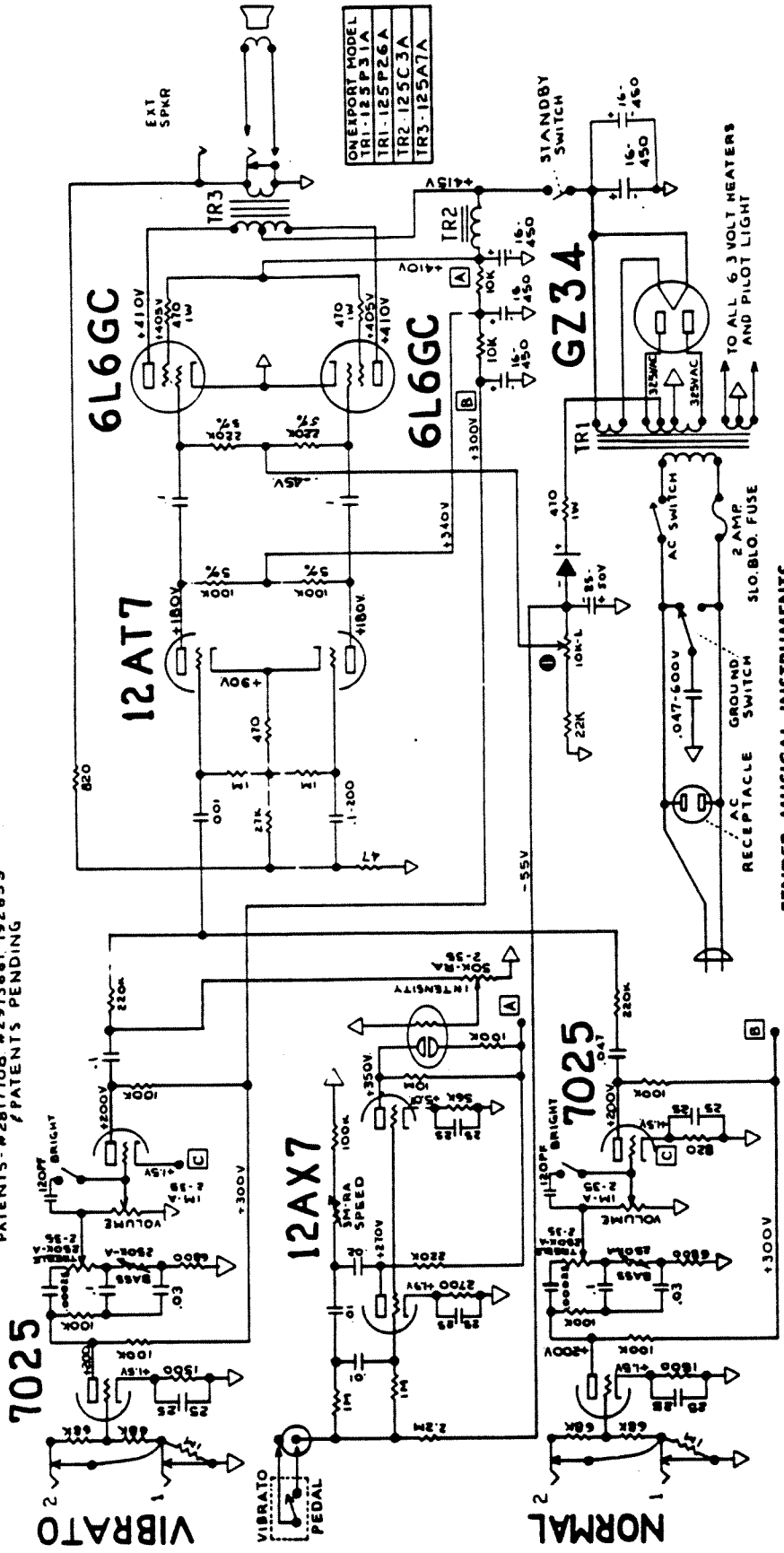
FENDER "VIBROLUX-AMP AA763" SCHEMATIC MODEL

NOTICE

- 1 - ALL VOLTAGES READ TO GROUND WITH ELECTRONIC VOLTMETER VALUES SHOWN ± OR - 20%
- 2 - ALL RESISTORS 1/4 WATT 10% TOLERANCE IF NOT SPECIFIED
- 3 - ALL CAPACITORS AT LEAST 400 VOLT RATING IF NOT SPECIFIED

THIS PRODUCT MANUFACTURED UNDER ONE OR MORE OF THE FOLLOWING U.S. PATENTS - #2817708, #2973681, 192859 PATENTS PENDING

J-FC



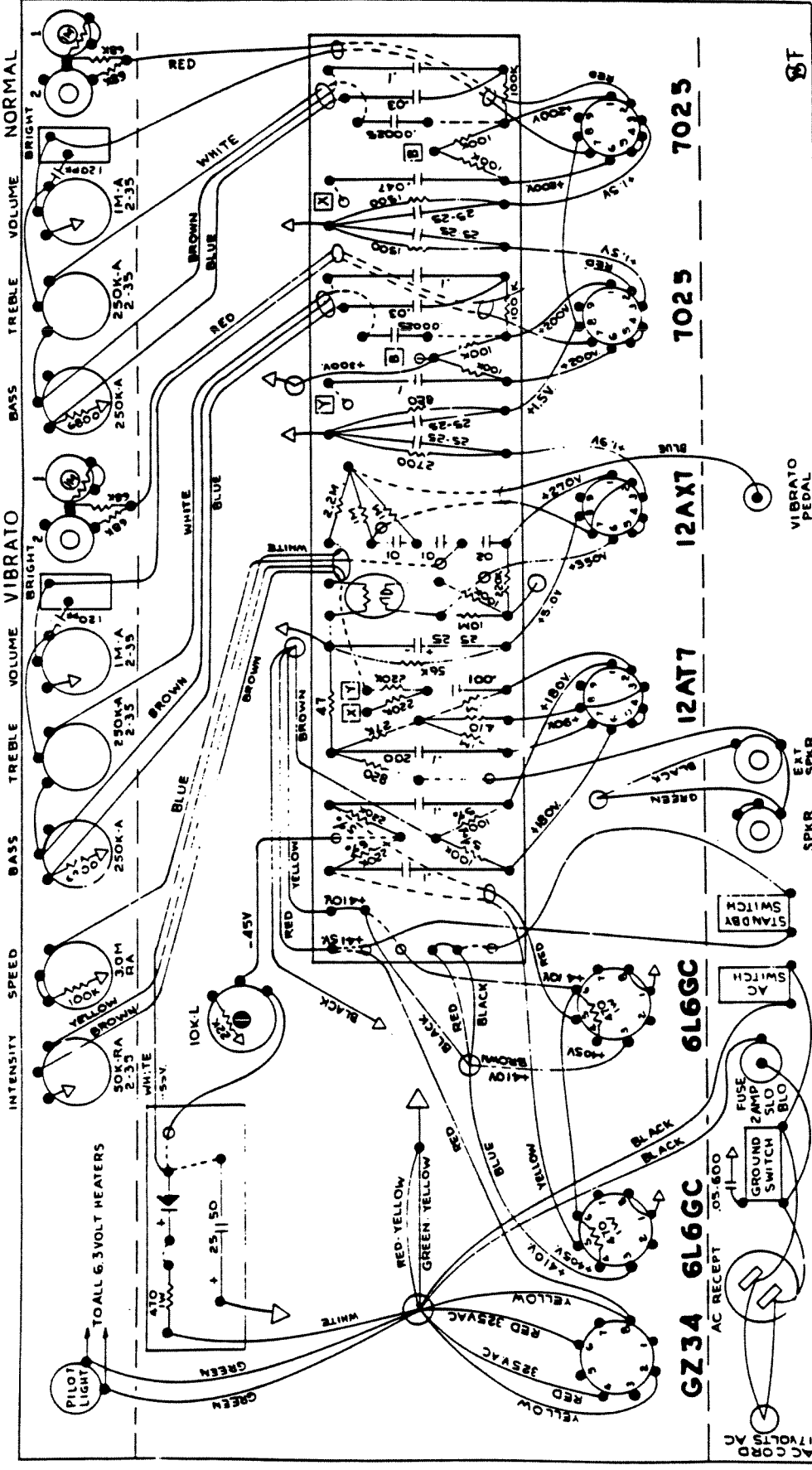
FENDER MUSICAL INSTRUMENTS
A DIVISION OF COLUMBIA RECORDS DISTRIBUTION CORP.
SANTA ANA, CALIFORNIA
U.S.A.

FENDER "VIBROLUX-AMP AAT63" LAYOUT

J-FC

NOTICE

VOLTAGES READ TO GROUND WITH ELECTRONIC VOLT METER VALUES SHOWN + OR - 20 %



NOTE: ALL RESISTORS 1/2 WATT, 10% TOLERANCE IF NOT SPECIFIED

NOTE: ALL CAPACITORS AT LEAST 400 VOLT RATING IF NOT SPECIFIED

FENDER MUSICAL INSTRUMENTS
A DIVISION OF COLUMBIA RECORDS DISTRIBUTION CORP.
SANTA ANA, CALIFORNIA
U.S.A.

BT