

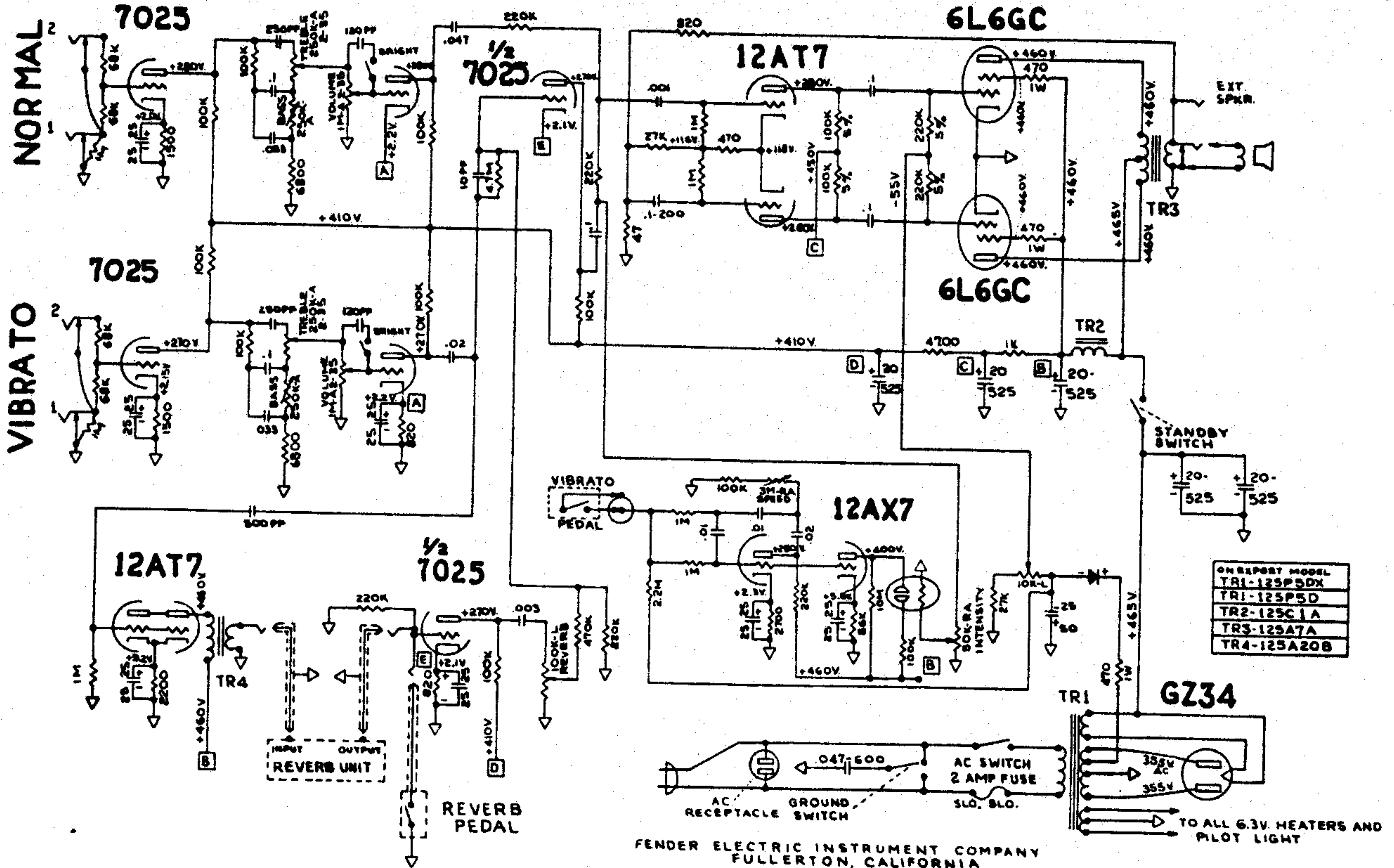
# FENDER MODEL

# "VIBROVERB AMP AA 763" SCHEMATIC NOTICE

THIS PRODUCT MANUFACTURED UNDER ONE OR MORE OF THE FOLLOWING U.S. PATENTS: #2817708, #2973681, 192859 / PATENTS PENDING

K - FC

1. VOLTAGES READ TO GROUND WITH ELECTRONIC VOLTMETER. VALUES SHOWN + OR - 20%.
2. ALL RESISTORS 1/2 WATT 10% TOLERANCE IF NOT SPECIFIED.
3. ALL CAPACITORS AT LEAST 400 VOLT RATING IF NOT SPECIFIED.



|                 |
|-----------------|
| ON REPORT MODEL |
| TR1-125P5DX     |
| TR1-125P5D      |
| TR2-125C1A      |
| TR3-125A7A      |
| TR4-125A20B     |

FENDER ELECTRIC INSTRUMENT COMPANY  
FULLERTON, CALIFORNIA

TO ALL 6.3V HEATERS AND  
PILOT LIGHT

# FENDER MODEL

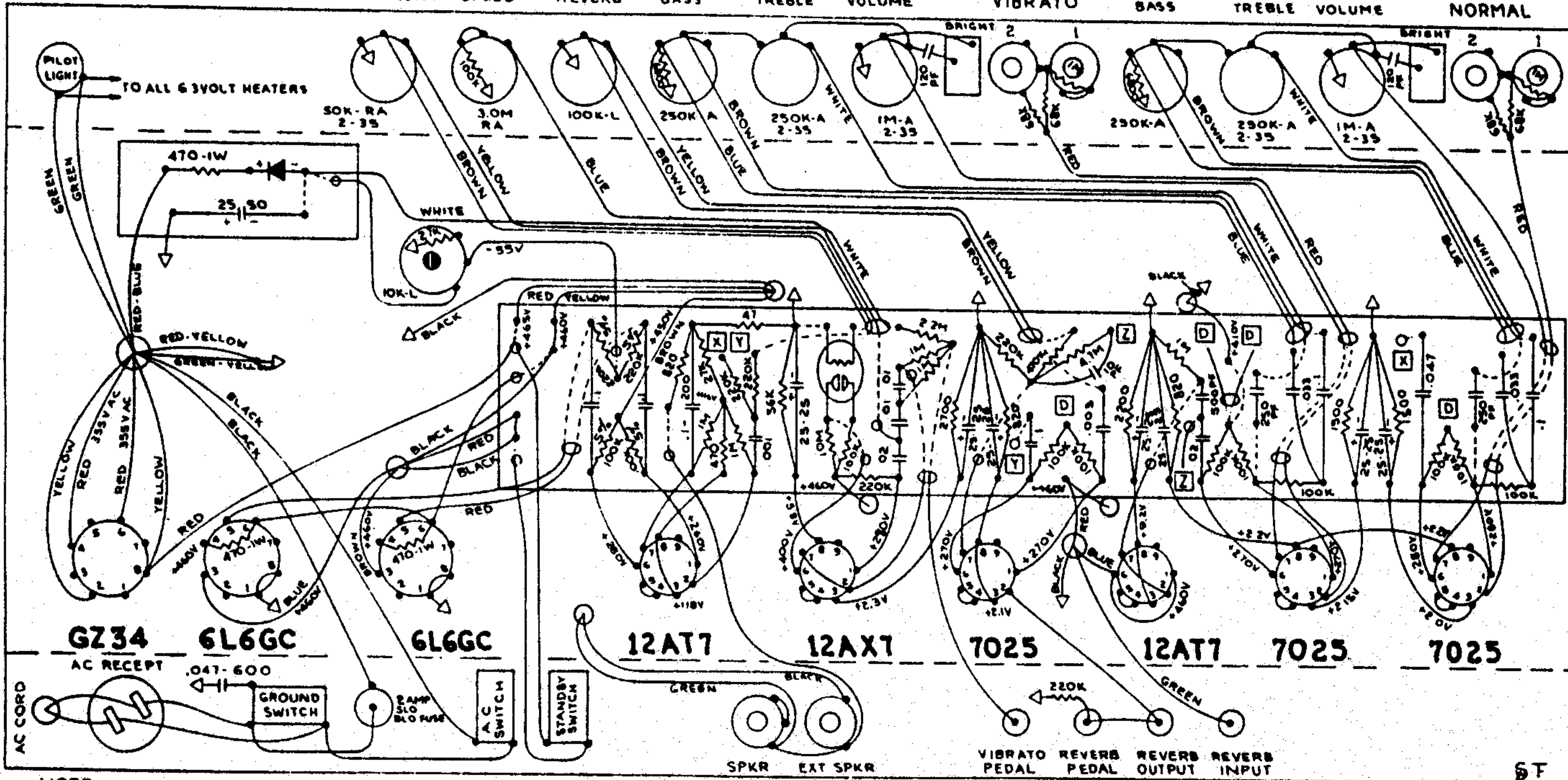
# "VIBROVERB AMP AA763" LAYOUT

## NOTICE

VOLTAGES READ TO GROUND WITH ELECTRONIC  
VOLTMETER VALUES SHOWN + OR - 20%.

K-FC

INTENSITY SPEED REVERB BASS TREBLE VOLUME VIBRATO BASS TREBLE VOLUME NORMAL



NOTE: ALL RESISTORS 1/2 WATT 10% TOLERANCE, IF NOT SPECIFIED

NOTE: ALL CAPACITORS AT LEAST 400 VOLT RATING IF NOT SPECIFIED.

FENDER ELECTRIC INSTRUMENT COMPANY  
FULLERTON, CALIFORNIA