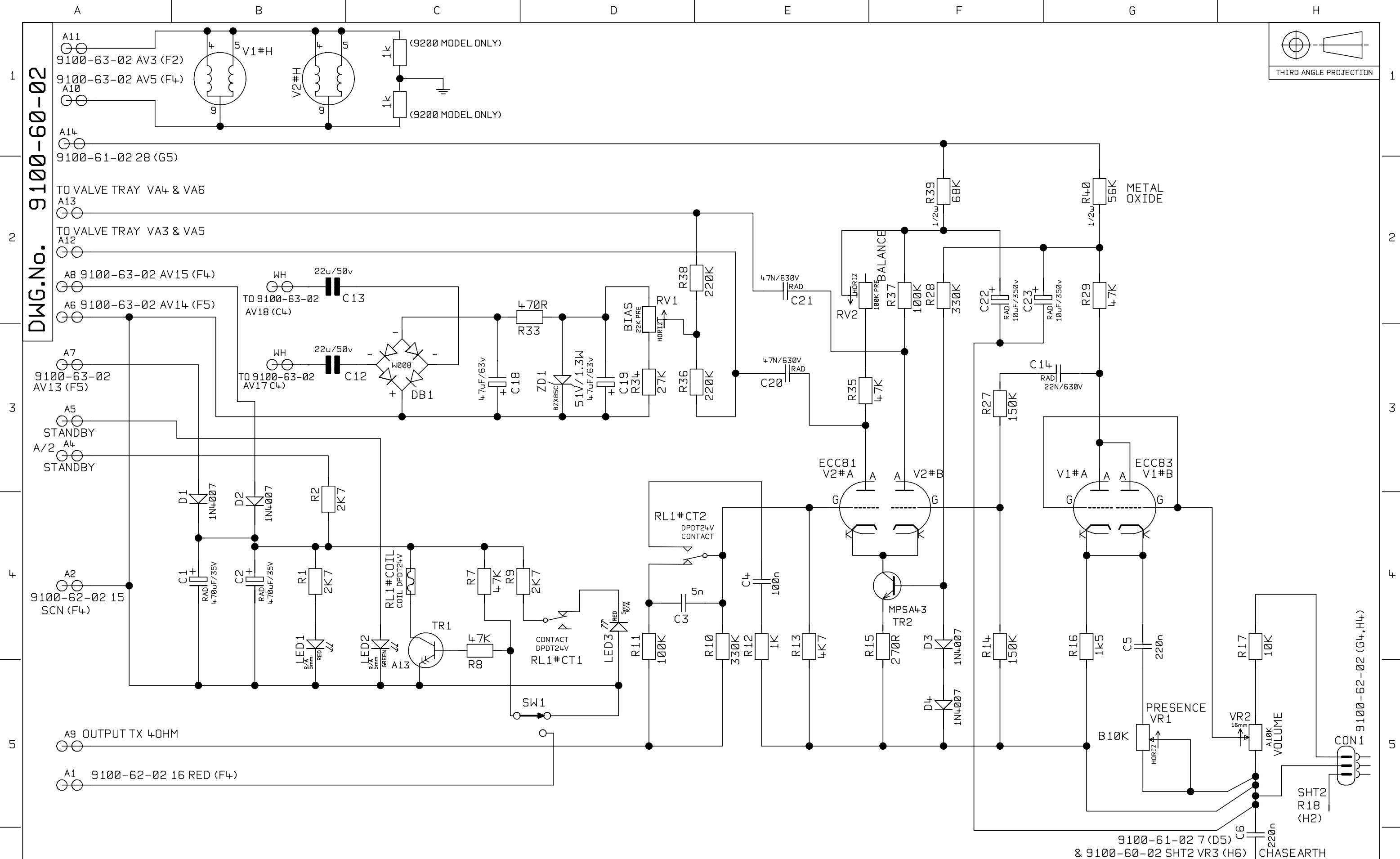
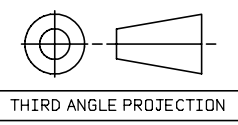


DWG.No. 9100-60-02



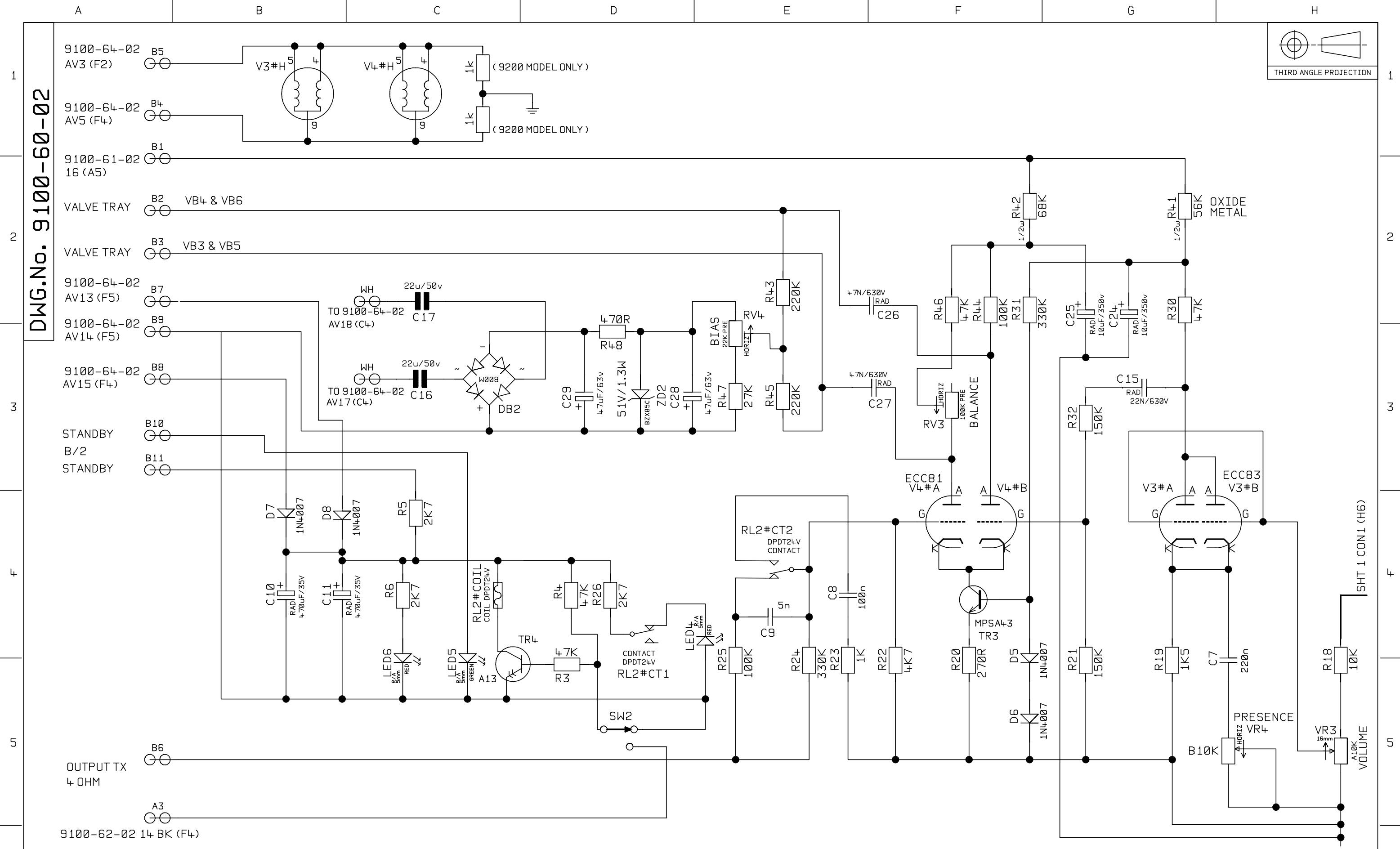
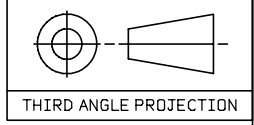
UNSPECIFIED HOLE DATA			MATERIAL		DIMENSIONS IN		TITLE	SHEET 1 OF 2
A	B	H	MATERIAL THICKNESS	TOLERANCE (UNLESS OTHERWISE STATED)	DIMENSIONAL			
6	1313	01-10-96	C	INTERNAL BEND RADII	CENTRES		CCT DIAG DRIVER PCB	DWG.No 9100-60-02
5	0705	25-11-94	D	EXTERNAL B/A	ANGULAR			
4	0752	27-10-94	E	BEND DIE	MODEL			ISSUE 6
3	0606	19-4-94	F	DRAWN A.G.	DATE 8-6-93			
ISS	ECO NUMBER	DATE	G	CHECKED	DATE			
				APPROVED	DATE			



COPYRIGHT EXISTS ON THIS DOCUMENT. IT MUST NOT BE USED FOR ANY PURPOSE THAN THAT FOR WHICH IT IS SUPPLIED AND MUST NOT BE COPIED (IN WHOLE OR IN PART) WITHOUT WRITTEN PERMISSION FROM
 MARSHALL AMPLIFICATION PLC.
 DENBIGH ROAD, BLETCHLEY, MILTON KEYNES, MK1 1DQ.
 TEL (0908)375411 FAX (0908)376118

9100-61-02 7 (D5)
 & 9100-60-02 SHT2 VR3 (H6)
 CHASEARTH

DWG.No. 9100-60-02



6	1313	01-11-96	A
5	0705	25-11-94	B
4	0725	27-10-94	C
3	0606	19-4-94	D
ISS	ECO NUMBER	DATE	G

UNSPECIFIED HOLE DATA	
A	H
B	J
C	K
D	L
E	M
F	N
G	P

MATERIAL	
MATERIAL THICKNESS	
INTERNAL BEND RADIUS	
EXTERNAL B/A	
BEND DIE	
DRAWN A.G.	DATE 8-6-93
CHECKED	DATE
APPROVED	DATE

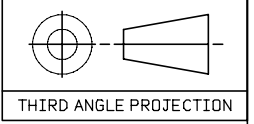
DIMENSIONS IN	
TOLERANCE (UNLESS OTHERWISE STATED)	
DIMENSIONAL	
CENTRES	
ANGULAR	
MODEL	9100/9200

Marshall

COPYRIGHT EXISTS ON THIS DOCUMENT. IT MUST NOT BE USED FOR ANY PURPOSE THAN THAT FOR WHICH IT IS SUPPLIED AND MUST NOT BE COPIED (IN WHOLE OR IN PART) WITHOUT WRITTEN PERMISSION FROM MARSHALL AMPLIFICATION PLC. DENBIGH ROAD, BLETCHLEY, MILTON KEYNES, MK1 10G. TEL: (0900) 375411 FAX: (0900) 376118

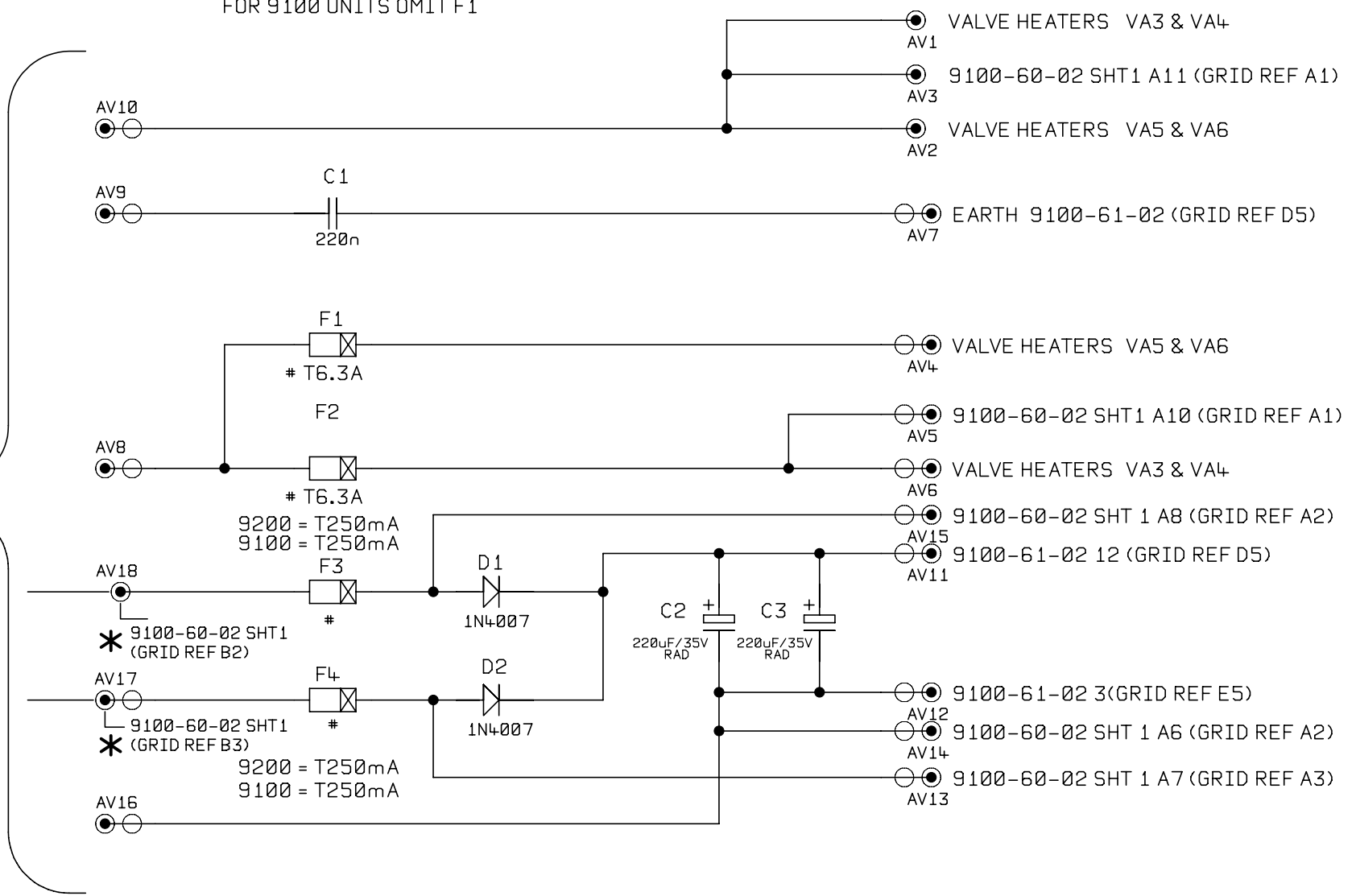
TITLE	CCT DIAG	SHEET 2 OF 2
	DRIVER PCB	
DWG.No	9100-60-02	ISSUE
		6

DWG.No. 9100-63-02



MAINS TRANSFORMER

FOR 9100 UNITS OMIT F1



* SEMKO ONLY

UNSPECIFIED HOLE DATA

			A	H
7	0725	27-10-94	B	J
6	0659	8-6-94	C	K
5	0606	19-4-94	D	L
4	0502	16-12-93	E	M
3	0467	12-11-93	F	N
ISS	ECO NUMBER	DATE	G	P

MATERIAL	
MATERIAL THICKNESS	
INTERNAL BEND RADIUS	
EXTERNAL B/A	
BEND DIE	
DRAWN A.G.	DATE 8-6-93
CHECKED	DATE
APPROVED	DATE

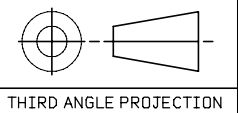
DIMENSIONS IN	
TOLERANCE (UNLESS OTHERWISE STATED)	
DIMENSIONAL	
CENTRES	
ANGULAR	
MODEL 9100/9200	



COPYRIGHT EXISTS ON THIS DOCUMENT. IT MUST NOT BE USED FOR ANY PURPOSE THAN THAT FOR WHICH IT IS SUPPLIED AND MUST NOT BE COPIED (IN WHOLE OR IN PART) WITHOUT WRITTEN PERMISSION FROM MARSHALL AMPLIFICATION PLC. DENBIGH ROAD, BLETCHLEY, MILTON KEYNES, MK1 1DQ. TEL (0900)375411 FAX (0900)376118

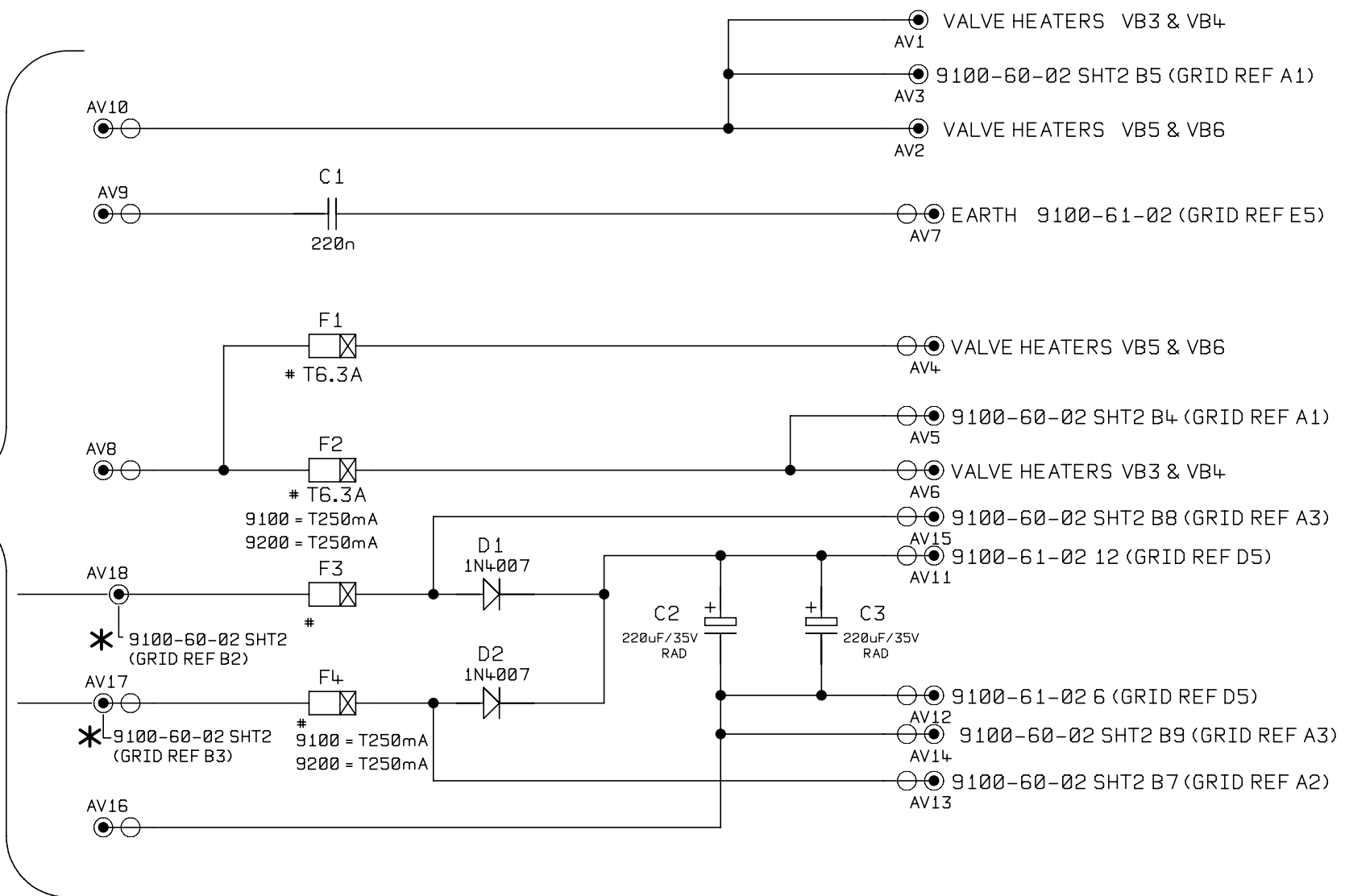
TITLE	
CCT DIAG FUSE PCB'S	
DWG.No 9100-63-02	ISSUE 7

DWG.No. 9100-64-02



MAINS TRANSFORMER

FOR 9100 UNITS OMIT F1



* SEMKO ONLY

7	0725	27-10-94	A	H
5	0606	19-4-94	B	J
4	0502	16-12-93	C	K
3	0467	12-11-93	D	L
ISS	ECO NUMBER	DATE	E	M
			F	N
			G	P

UNSPECIFIED HOLE DATA	
A	H
B	J
C	K
D	L
E	M
F	N
G	P

MATERIAL	
MATERIAL THICKNESS	
INTERNAL BEND RADIUS	
EXTERNAL B/A	
BEND DIE	
DRAWN	A.G.
DATE	8-6-93
CHECKED	DATE
APPROVED	DATE

DIMENSIONS IN	
TOLERANCE (UNLESS OTHERWISE STATED)	
DIMENSIONAL	
CENTRES	
ANGULAR	
MODEL	9100/9200

MATERIAL	
MATERIAL THICKNESS	
INTERNAL BEND RADIUS	
EXTERNAL B/A	
BEND DIE	
DRAWN	A.G.
DATE	8-6-93
CHECKED	DATE
APPROVED	DATE

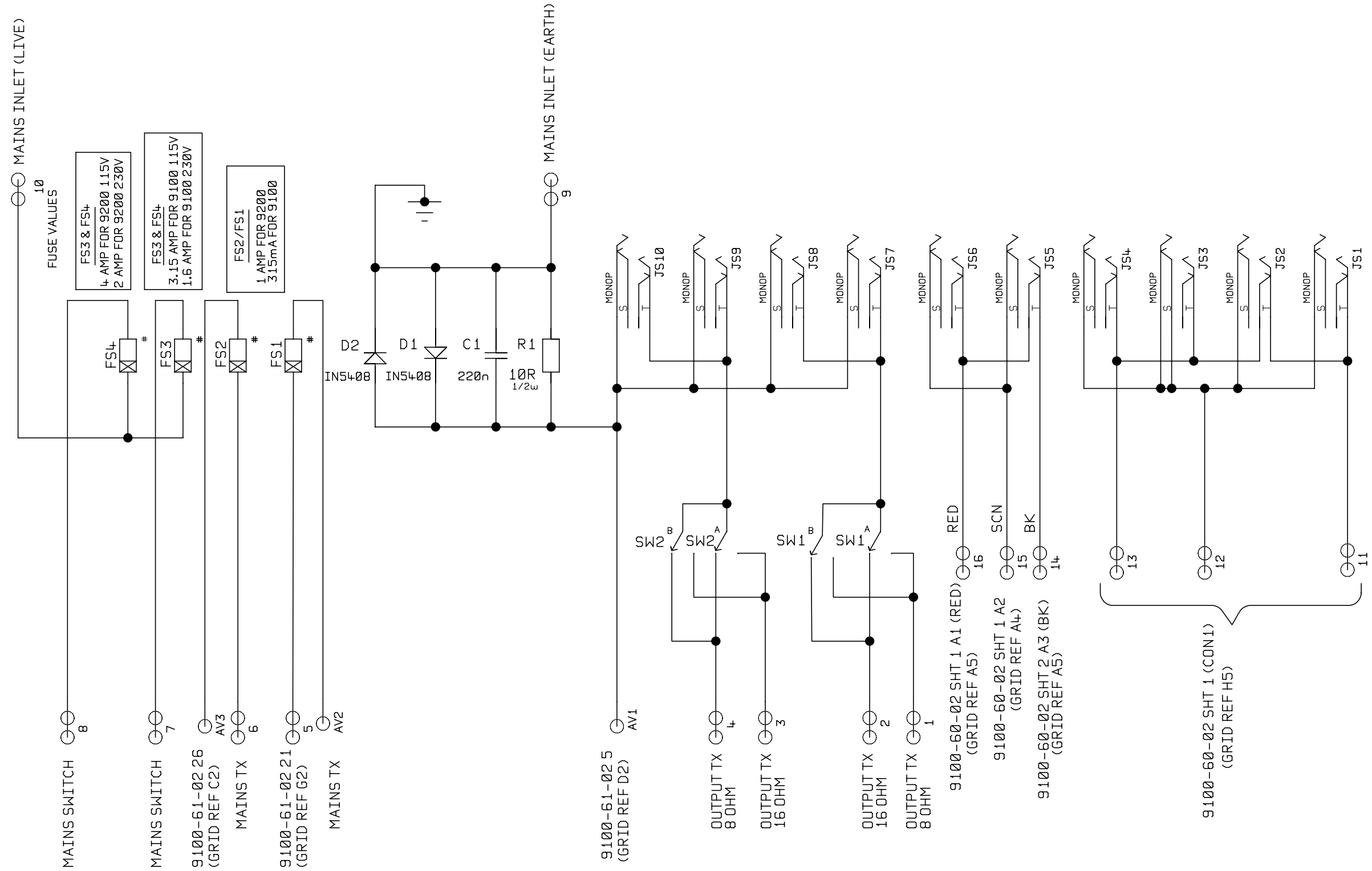
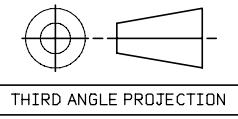
Marshall

COPYRIGHT EXISTS ON THIS DOCUMENT. IT MUST NOT BE USED FOR ANY PURPOSE THAN THAT FOR WHICH IT IS SUPPLIED AND MUST NOT BE COPIED (IN WHOLE OR IN PART) WITHOUT WRITTEN PERMISSION FROM MARSHALL AMPLIFICATION PLC.

DENBIGH ROAD, BLETCHLEY, MILTON KEYNES, MK1 10Q. TEL: (0500)375411 FAX: (0500)375118

TITLE	
CCT DIAG FUSE PCB'S	
DWG.No	ISSUE
9100-64-02	7

DWG.No. 9100-62-02



UNSPECIFIED HOLE DATA

A	H
B	J
C	K
D	L
E	M
F	N
G	P

MATERIAL

MATERIAL THICKNESS	
INTERNAL BEND RADII	
EXTERNAL B/A	
BEND DIE	
DRAWN A.G.	DATE 8-6-93
CHECKED	DATE
APPROVED	DATE

DIMENSIONS IN

TOLERANCE (UNLESS OTHERWISE STATED)
DIMENSIONAL
CENTRES
ANGULAR
MODEL
9100/9200



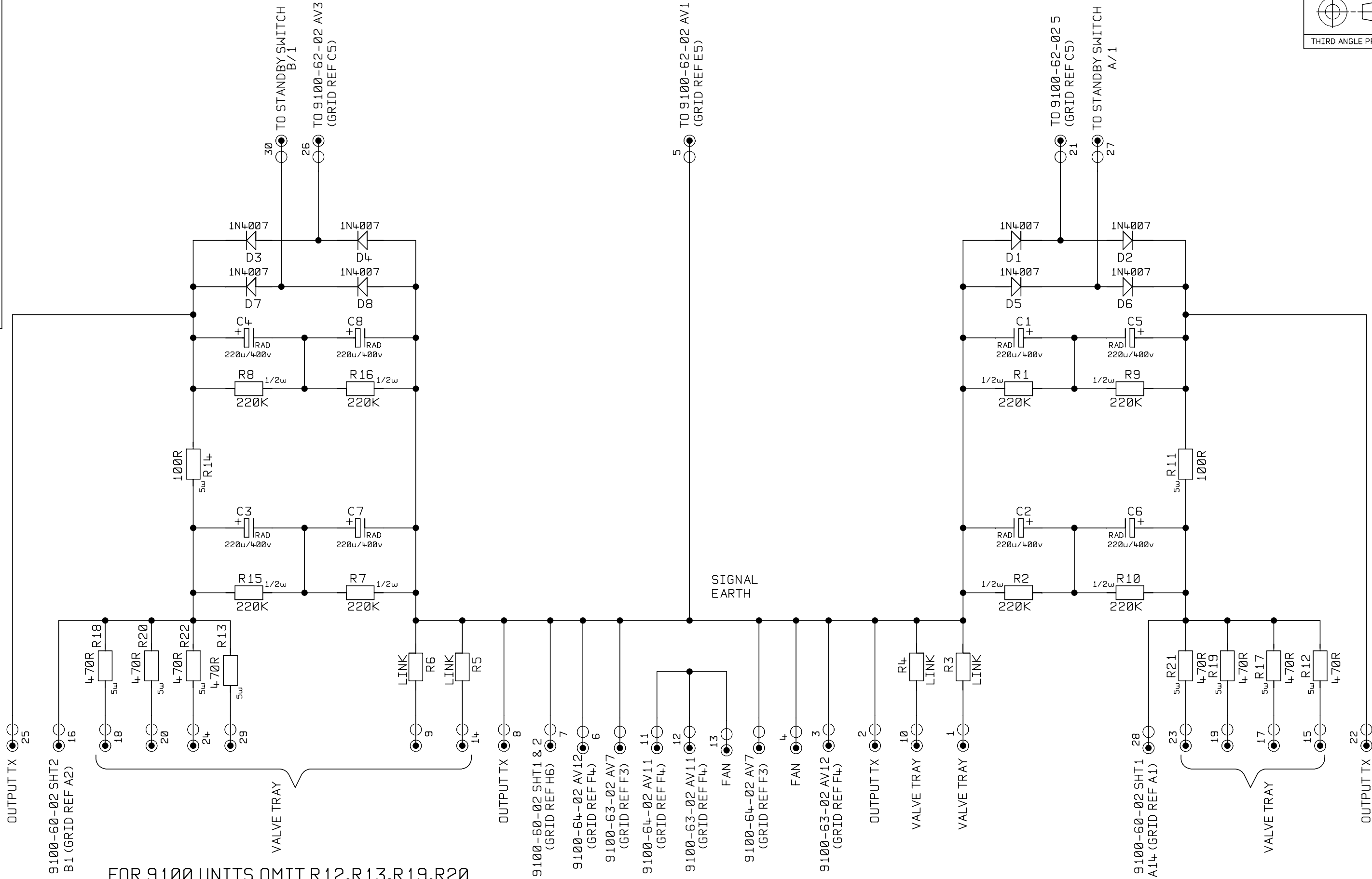
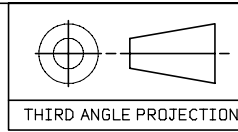
COPYRIGHT EXISTS ON THIS DOCUMENT. IT MUST NOT BE USED FOR ANY PURPOSE THAN THAT FOR WHICH IT IS SUPPLIED AND MUST NOT BE COPIED (IN WHOLE OR IN PART) WITHOUT WRITTEN PERMISSION FROM
 © MARSHALL AMPLIFICATION PLC.
 DENBIGH ROAD, BLETCHLEY, MILTON KEYNES, MK1 1DQ.
 TEL (0908)375411 FAX (0908)376118

TITLE
CCT DIAG
INPUT/OUTPUT PCB

DWG.No
9100-62-02
 ISSUE
4

4	0725	27-10-94
3	0659	8-6-94
ISS	ECO NUMBER	DATE

DWG.No. 9100-61-02



FOR 9100 UNITS OMIT R12,R13,R19,R20

UNSPECIFIED HOLE DATA		
	A	H
	B	J
6	0705	25-11-94
5	0725	27-10-94
4	0502	16-12-93
3	0467	12-11-93
ISS	ECO NUMBER	DATE

MATERIAL		DIMENSIONS IN	
MATERIAL THICKNESS		TOLERANCE (UNLESS OTHERWISE STATED)	
INTERNAL BEND RADIUS		DIMENSIONAL	
EXTERNAL B/A		CENTRES	
BEND DIE		ANGULAR	
DRAWN A.G.	DATE 8-6-93	MODEL	
CHECKED	DATE	9100/9200	
APPROVED	DATE		

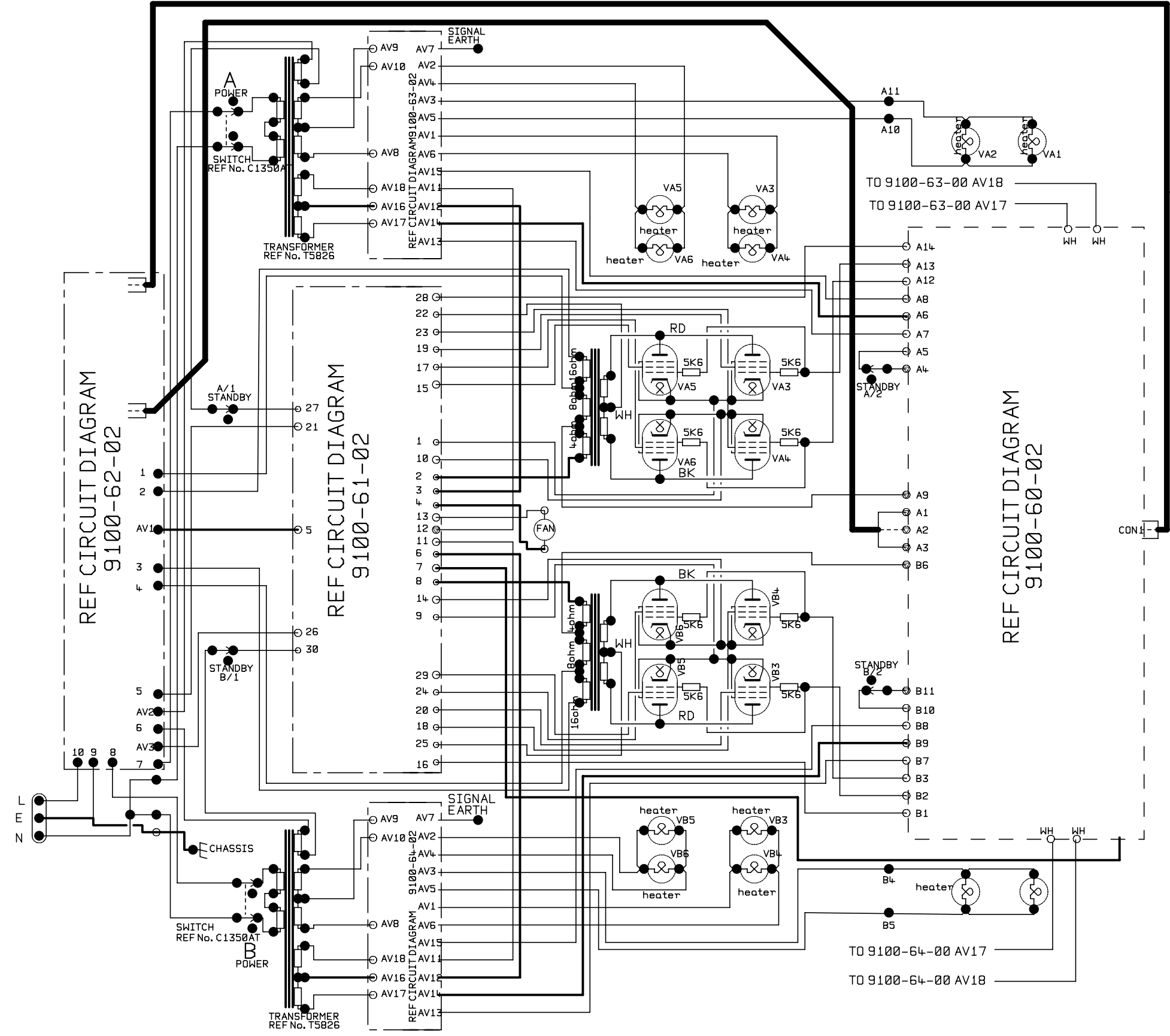
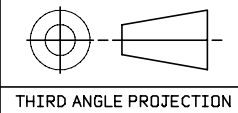
Marshall

COPYRIGHT EXISTS ON THIS DOCUMENT. IT MUST NOT BE USED FOR ANY PURPOSE THAN THAT FOR WHICH IT IS SUPPLIED AND MUST NOT BE COPIED (IN WHOLE OR IN PART) WITHOUT WRITTEN PERMISSION FROM

© MARSHALL AMPLIFICATION PLC.
DENBIGH ROAD, BLETCHLEY, MILTON KEYNES, MK1 1DG.
TEL. (0908)375411 FAX (0908)376118

TITLE	
CCT DIAG PSU PCB	
DWG.No 9100-61-02	ISSUE 6

DWG.No. 9200-65-02



5	0725	27-10-94	D
4	0606	19-4-94	E
3	0502	16-12-93	F
ISS	ECO NUMBER	DATE	G

UNSPECIFIED HOLE DATA	
A	H
B	J
C	K
D	L
E	M
F	N
G	P

MATERIAL	
MATERIAL THICKNESS	
INTERNAL BEND RADIUS	
EXTERNAL B/A	
BEND DIE	
DRAWN	A.G.
DATE	13-9-93
CHECKED	DATE
APPROVED	DATE

DIMENSIONS IN	
TOLERANCE (UNLESS OTHERWISE STATED)	
DIMENSIONAL	
CENTRES	
ANGULAR	
MODEL	9200

Marshall

COPYRIGHT EXISTS ON THIS DOCUMENT. IT MUST NOT BE USED FOR ANY PURPOSE THAN THAT FOR WHICH IT IS SUPPLIED AND MUST NOT BE COPIED (IN WHOLE OR IN PART) WITHOUT WRITTEN PERMISSION FROM MARSHALL AMPLIFICATION PLC. DENBIGH ROAD, BLETCHLEY, MILTON KEYNES, MK1 1DQ. TEL (0908)375411 FAX (0908)376118

TITLE	
9100/9200 CCT DIAG	
DWG.No	ISSUE
9200-65-02	5